

STANDARD MATERIALS AND CONSTRUCTION

- FRAME:** .081" thk. (nominal) extruded aluminum, 6063-T52/T6 alloy, 1 1/16" x 2" x 3/8" flanged frame on all sides.
- BLADES:** Extruded aluminum, 6063-T6/T52 alloy, .081" thk. Designed for strength and low leakage with overlapping edges.
- AXLES:** 1/2" dia. extruded aluminum, pin-lock design.
- SEALS:** Silicone rubber off-set leg at blade edges. None at jamb.
- BEARING:** Celcon bearing material so that there will be no metal to metal friction.
- LINKAGE:** Face mounted in the airstream.
- DAMPER FACE:** Full jamb section with blades, head and sill contained in jamb.
- TEMP. LIMITS:** -40°F to 190°F.
- FINISH:** Factory mill.

OPTIONS

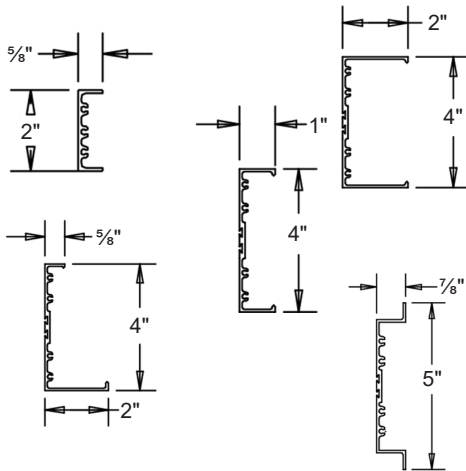
- Blade: 5 1/16" blade on 5 1/2" centers.
- Screens: Bird or Insect screens available.
- Optional frame types shown below.
- Counterweights: Adjustable for infinite opening pressures. Optional locations available. See Note 3 for details.

NOTES

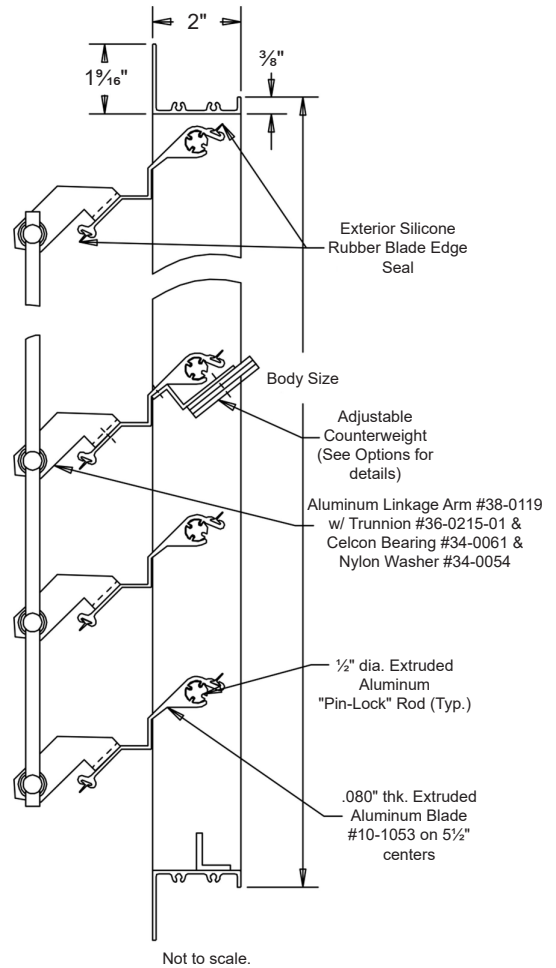
1. Nominal deductions will be made to the opening size given.
2. When a non-symmetrical frame cross section is specified (i.e. Flanged), specify the flange/airflow orientation.
3. For optional counterweights, specify to assist or resist opening. Also, specify location internally (on blades) or externally (on extended shaft).
4. Approximate shipping weight is 6.5 lbs./sq.ft.

DAMPER SIZES

Min Panel	Max Panel
8"W x 8"H Body Size	60"W x 72"H Body Size



Available Frame Options



Item #	Qty	Width	Height	Width	Height	Mullion	Union Made
		Opening Size		Damper Size			
Arch. / Eng.:				EDR:		ECN:	Job:
Contractor:							
Project:				Date:		DWN:	DWG:



Dampers ▲ Louvers
UL Life Safety Products
Division of Mestek
Member of AMCA

airbalance.com

In the interest of product development, Air Balance reserves the right to make changes without notice.
450 Riverside Dr • Wyalusing PA, 18853 • Phone 570-746-1888 • Fax 570-746-9286

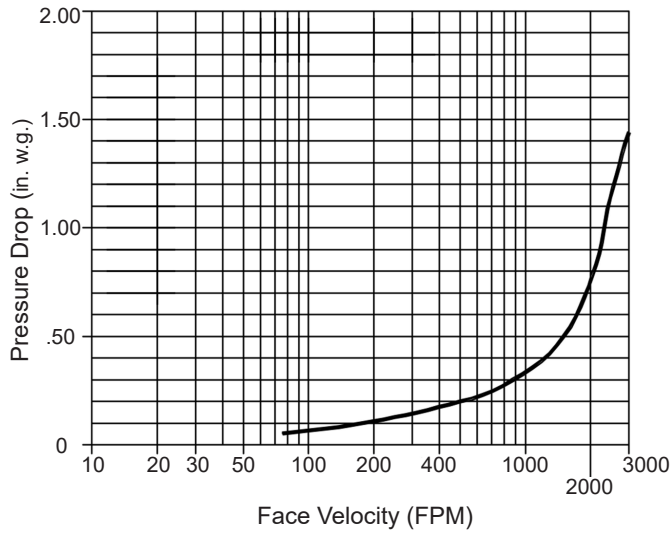
PERFORMANCE DATA

Without Ductwork

Damper installed per AMCA 500 Fig. 5.5 (Wall Mounted)
 Pressure is corrected to .075 lb./cu.ft. air density

Operational Pressures

Start to Open - .04 inches w.g.
 Fully Open - 1.44 inches w.g.

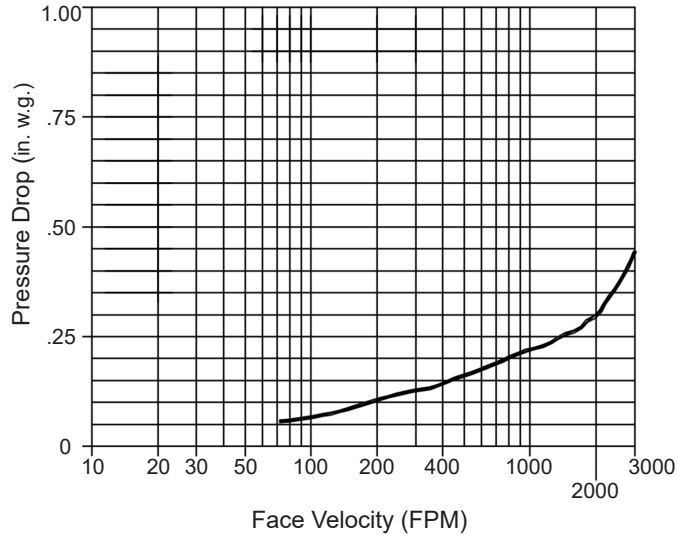


With Ductwork

Damper installed per AMCA 500 Fig. 5.3 (Ductwork installed upstream and downstream of damper)
 Pressure is corrected to .075 lb./cu.ft. air density

Operational Pressures

Start to Open - .03 inches w.g.
 Fully Open - .44 inches w.g.



Typical Performance for Model A335 Backdraft Damper
 Size tested 36" x 36", furnished with counterweight to assist opening.